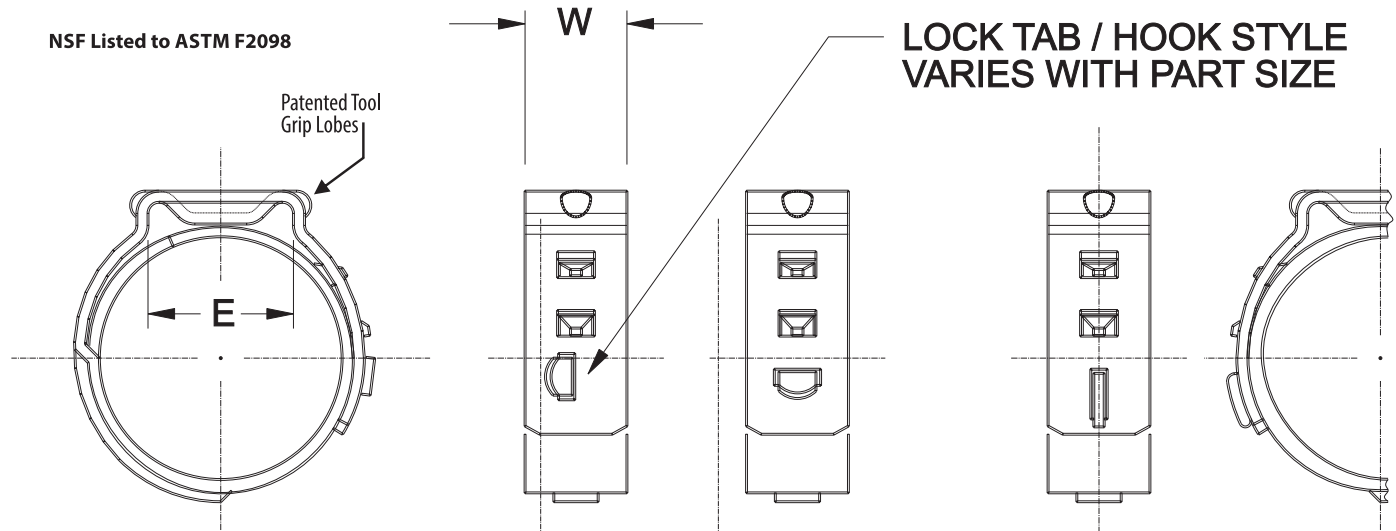


Heavy Duty Seamless PEX Pipe Clamps for use with "DZR" Brass and Plastic PEX Fittings

- All stainless steel pinch clamp with "tongue and groove" design provides 360° seamless fastening.
- Exceeds ASTM F-2098 requirements
- Patented crimp lobes reduce miscrimps during installation
- Designed primarily for PEX (cross-linked polyethylene), PAP (PEX Aluminum PEX), and PERT (Polyethylene Raised Temperature) but has numerous alternate uses
*Use PEX Clamps with yellow brass fittings having a zinc content greater than 15%.



NSF Listed to ASTM F2098



PEX TUBE SIZE	W	E
3/8	7mm (0.276)	8mm
1/2	7mm (0.276)	10mm
5/8	9mm (0.354)	10 mm
3/4	9mm (0.354)	10mm
1"	10mm (0.394)	10mm



Many of our Seamless (KVGT) clamps offer our patented crimp lobe technology. This feature ensures that the crimping tool is properly positioned to help eliminate miscrimps which can result in leaks.

Part Number	PEX Tbe Size	Width (W)	Open Dia.	Closed Dia.	Open Dia. Inches	Closed Dia. Inches
PEX 133	3/8"	7.0mm	13.3mm	10.8mm	0.524	0.424
PEX 175	1/2"	7.0mm	17.5mm	14.3mm	0.689	0.564
PEX 206	5/8"	9.0mm	20.6mm	17.4mm	0.811	0.686
PEX 233	3/4"	9.0mm	23.3mm	20.1mm	0.917	0.791
PEX 296	1"	10.0mm	29.6mm	26.4mm	1.165	1.039

Other sizes available upon request. Available in packed and bulk stock. Other packaging configurations available.