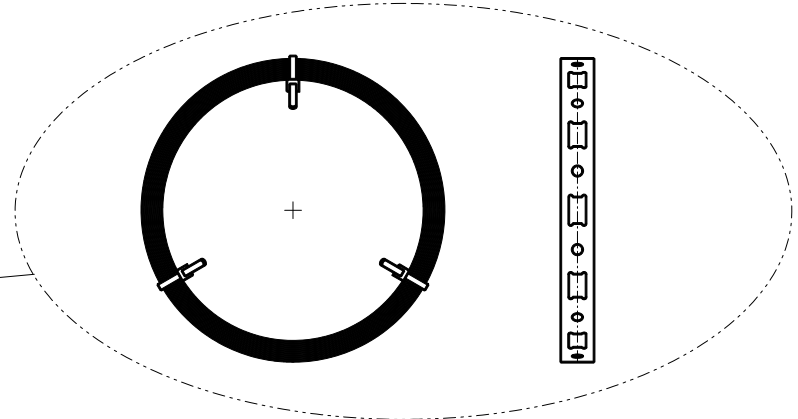
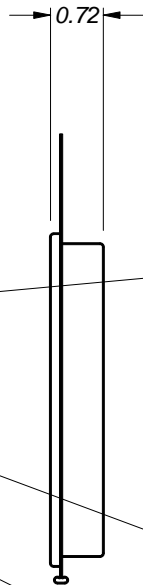
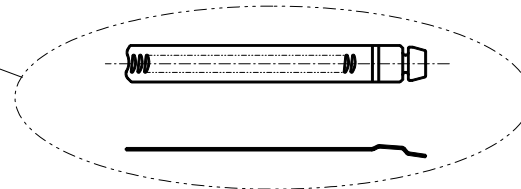


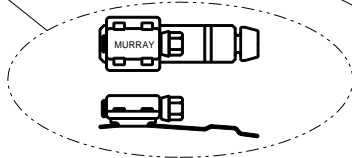
CLEAR PLASTIC CASE
 QUANTITY = 1 PER PACKAGE
 COMPLETE PACKAGE WT. = 0.8 LBS.



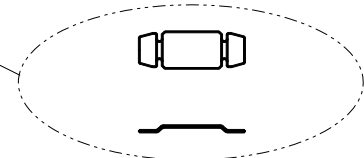
PRESLOTTED BAND STOCK - 10 FOOT COIL
 QUANTITY = 1 PER PACKAGE



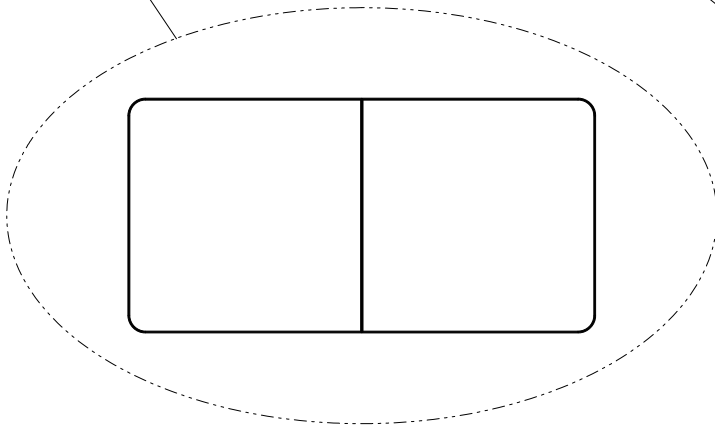
WORM DRIVE BAND FLAT
 QUANTITY = 6 PER PACKAGE



WORM DRIVE ASSEMBLY
 QUANTITY = 6 PER PACKAGE



SHORT BAND SPLICE
 QUANTITY = 6 PER PACKAGE



BI-FOLD INSTRUCTION CARD
 QUANTITY = 1 PER PACKAGE

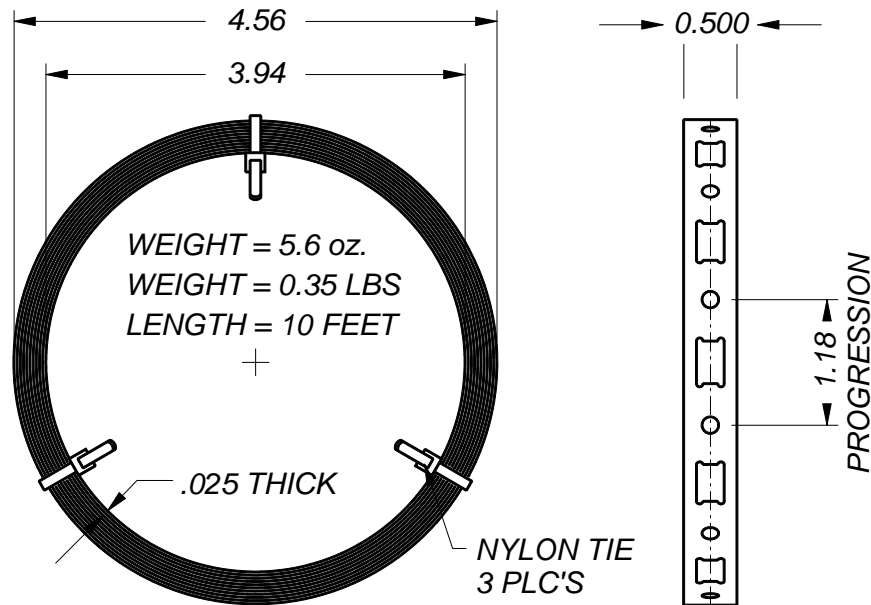
GENERAL NOTES:

1. FOR COMPONENT DETAILS...SEE SHT 2 of 2
2. FEATURES WITHOUT DETAIL / DIMENSION... ARE STANDARD WITH VENDOR

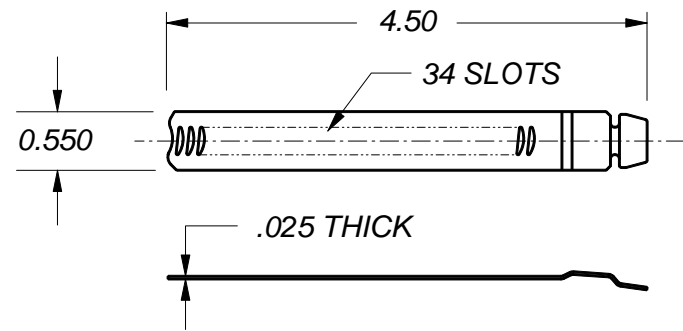


TITLE: CREATE-A-CLAMP
 HF SERIES, 10 FOOT

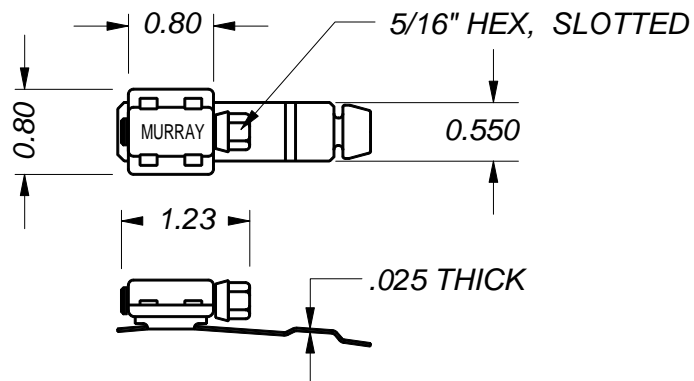
P/N:
 HFCC10



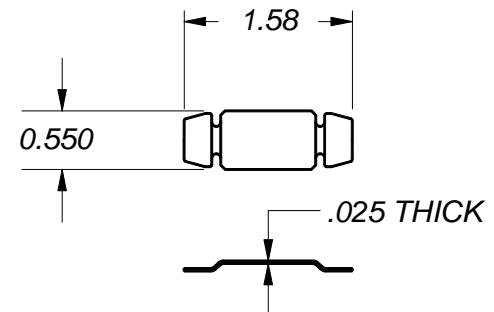
PRESLOTTED BAND STOCK
 MATERIAL: 300 SERIES STAINLESS
 QUANTITY = 1 PER PACKAGE



WORM DRIVE BAND FLAT
 MATERIAL: 300 SERIES STAINLESS
 QUANTITY = 6 PER PACKAGE



WORM DRIVE ASSEMBLY (4 PC. CONSTRUCTION)
 MATERIAL: 300 SERIES STAINLESS
 QUANTITY = 6 PER PACKAGE



SHORT BAND SPLICE
 MATERIAL: 300 SERIES STAINLESS
 QUANTITY = 6 PER PACKAGE



TITLE: CREATE-A-CLAMP
 HF SERIES, 10 FOOT

P/N:
HFCC10