

## Constant Tension Turbo Seal Clamps- SAE Type "T"

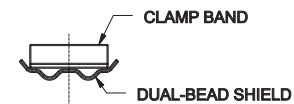
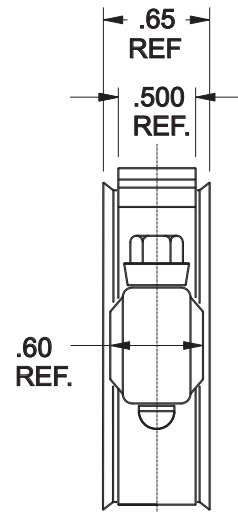
A constant tension worm gear clamp designed to compensate for the effects of the thermal cycling and/or compression set of hose.

- Provides dual spring action through convoluted spring action band.
- Features a Murray exclusive Dual Bead Shield® that concentrates band-sealing pressure, and increases performance up to 30% compared to smooth liners.
- Used in Automotive, Off-Road, Agriculture, Heavy Duty, and Military applications.
- Flanged edges protect soft hose compounds.

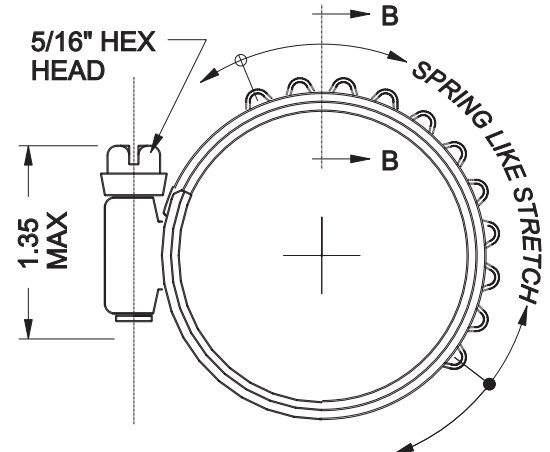


**Rated Ultimate Torque:**  
75in.lbs. min. (8.5Nm)  
**Recommended Installation Torque:**  
50in.lbs. (5.6Nm)

Clamp Series	"A" Diameter Range					
	Decimals		Inches		Millimeters	
<b>"300 Series Stainless Screws</b>						
TSS 14S30 EP	1.12	1.50	1-1/8	1-1/2	28	38
TSS 16S30 EP	1.20	1.63	1-1/5	1-5/8	30	41
TSS 18S30 EP*	1.28	1.75	1-1/4	1-3/4	33	44
TSS 20S30 EP	1.37	1.88	1-3/8	1-7/8	35	48
TSS 24S30 EP*	1.56	2.13	1-9/16	2-1/8	40	54
TSS 28S30 EP	1.63	2.38	1-5/8	2-3/8	41	60
TSS 32S30 EP	1.80	2.63	1-13/16	2-5/8	46	67
TSS 36S30 EP	1.97	2.88	1-31/32	2-7/8	50	73
TSS 40S30 EP	2.25	3.13	2-1/4	3-1/8	57	79
TSS 44S30 EP	2.50	3.38	2-1/2	3-3/8	64	86
TSS 48S30 EP	2.75	3.63	2-3/4	3-5/8	70	92
TSS 52S30 EP*	3.00	3.88	3	3-7/8	76	98
TSS 56S30 EP*	3.25	4.13	3-1/4	4-1/8	83	105
TSS 60S30 EP*	3.50	4.38	3-1/2	4-3/8	89	111
TSS 64S30 EP	3.75	4.63	3-3/4	4-5/8	95	118
TSS 68S30 EP*	4.00	4.88	4	4-7/8	102	124
TSS 72S30 EP*	4.25	5.13	4-1/4	5-1/8	108	130
TSS 76S30 EP*	4.50	5.38	4-1/2	5-3/8	114	137
TSS 80S30 EP*	4.75	5.63	4-3/4	5-5/8	121	143
TSS 84S30 EP*	5.00	5.88	5	5-7/8	127	149
TSS 88S30 EP*	5.25	6.13	5-1/4	6-1/8	133	156
TSS 92S30 EP*	5.50	6.38	5-1/2	6-3/8	140	162
TSS 96S30 EP*	5.75	6.63	5-3/4	6-5/8	146	168
TSS 104S30 EP*	6.25	7.13	6-1/4	7-1/8	159	181
TSS 112S30 EP*	6.75	7.63	6-3/4	7-5/8	172	194
TSS 116S30 EP*	7.00	7.88	7	7-7/8	178	200
TSS 120S30 EP*	7.25	8.13	7-1/4	8-1/8	184	206



SECT. B-B



Other sizes available upon request. Available in packed and bulk stock. Other packaging configurations available.  
\*items not stocked. special order only