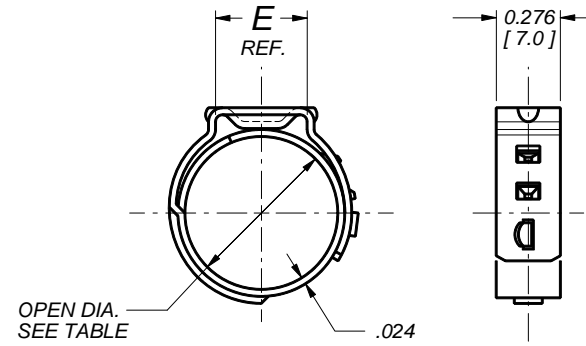


MURRAY P/N	OPEN DIAMETER	
	(mm)	(inch)
KVGT 5065	6.5	0.256
KVGT 5070	7.0	0.276
KVGT 5080	8.0	0.315

CONTACT SALES REPRESENTATIVE FOR FULL LIST OF SIZES



MURRAY P/N	OPEN DIAMETER		E REF.
	(mm)	(inch)	
KVGT 7123	12.3	0.484	8.0 mm
KVGT 7128	12.8	0.504	
KVGT 7133	13.3	0.524	
KVGT 7138	13.8	0.543	
KVGT 7140	14.0	0.551	
KVGT 7145	14.5	0.571	
KVGT 7148	14.8	0.583	
KVGT 7153	15.3	0.602	
KVGT 7157	15.7	0.618	8.0 mm

CONTACT SALES REPRESENTATIVE FOR FULL LIST OF SIZES

MAT'L: 304 STAINLESS

CLAMPS MEET OR EXCEED SPECIFICATIONS FOR SAE J1508 TYPE "SEC"



TITLE: Groove Tongue Keystone Clamp
5 mm & 7 mm WIDE SERIES

P/N: KVGT 5xxx / KVGT 7xxx