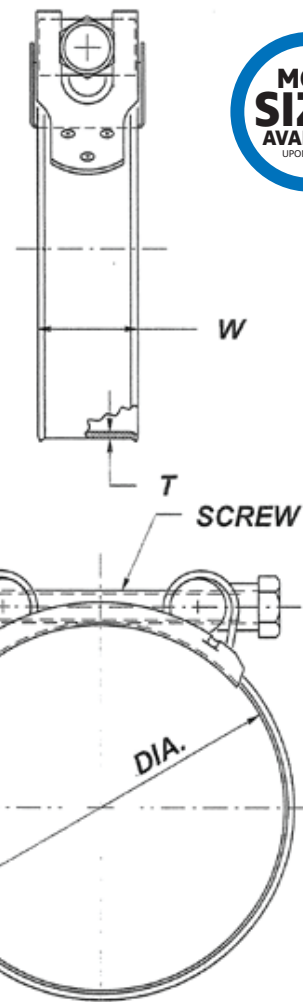


### Barrel Hardware Clamps- BH

- Ideal for applications where space constraints prevent the use of a standard T-bolt clamp
- Low-profile design, minimal protruding parts and ease of installation
- Deep socket installation tools are not required
- Diameters as small as 17 mm are available
- Used in automotive, industrial and agricultural applications including industrial liquid flow systems, motorcycle exhaust systems and high-performance race cars



All Zinc Plated (W1)	All 300 Stainless Steel (W4)	All 316 Stainless (W5)	Range (Inches)		Range (mm)	
			Closed	Open	Closed	Open
BH5X019	BHM5X019SS	BHL5X019SS	0.669	0.75	17	19
BH5X022	BHM5X022SS	BHL5X022SS	0.787	0.866	20	22
BH5X025	BHM5X025SS	BHL5X025SS	0.906	0.984	23	25
BH5X028	BHM5X028SS	BHL5X028SS	1.02	1.1	26	28
BH6X031	BHM6X031SS	BHL6X031SS	1.14	1.22	29	31
BH6X035	BHM6X035SS	BHL6X035SS	1.26	1.38	32	35
BH6X039	BHM6X039SS	BHL6X039SS	1.42	1.54	36	39
BH6X043	BHM6X043SS	BHL6X043SS	1.57	1.69	40	43
BH6X047	BHM6X047SS	BHL6X047SS	1.73	1.85	44	47
BH6X051	BHM6X051SS	BHL6X051SS	1.89	2.01	48	51
BH6X055	BHM6X055SS	BHL6X055SS	2.05	2.17	52	55
BH6X059	BHM6X059SS	BHL6X059SS	2.2	2.32	56	59
BH6X063	BHM6X063SS	BHL6X063SS	2.36	2.48	60	63
BH8X067	BHM8X067SS	BHL8X067SS	2.52	2.64	64	67
BH8X073	BHM8X073SS	BHL8X073SS	2.68	2.87	68	73
BH8X079	BHM8X079SS	BHL8X079SS	2.91	3.11	74	79
BH8X085	BHM8X085SS	BHL8X085SS	3.15	3.35	80	85
BH8X091	BHM8X091SS	BHL8X091SS	3.39	3.58	86	91
BH8X097	BHM8X097SS	BHL8X097SS	3.62	3.82	92	97
BH8X103	BHM8X103SS	BHL8X103SS	3.86	4.06	98	103
BH8X112	BHM8X112SS	BHL8X112SS	4.09	4.41	104	112
BH8X121	BHM8X121SS	BHL8X121SS	4.45	4.76	113	121
BH8X130	BHM8X130SS	BHL8X130SS	4.8	5.12	122	130
BH10X139	BHM10X139SS	BHL10X139SS	5.16	5.47	131	139
BH10X148	BHM10X148SS	BHL10X148SS	5.51	5.83	140	148
BH10X161	BHM10X161SS	BHL10X161SS	5.87	6.34	149	161
BH10X174	BHM10X174SS	BHL10X174SS	6.38	6.85	162	174
BH10X187	BHM10X187SS	BHL10X187SS	6.89	7.36	175	187
BH10X200	BHM10X200SS	BHL10X200SS	7.4	7.87	188	200
BH10X213	BHM10X213SS	BHL10X213SS	7.91	8.39	201	213
BH10X226	BHM10X226SS	BHL10X226SS	8.43	8.9	214	226
BH10X239	BHM10X239SS	BHL10X239SS	8.94	9.41	227	239
BH10X252	BHM10X252SS	BHL10X252SS	9.45	9.92	240	252
BH10X265	BHM10X265SS	BHL10X265SS	9.96	10.43	253	265
BH10X278	BHM10X278SS	BHL10X278SS	10.47	10.94	266	278
BH10X291	BHM10X291SS	BHL10X291SS	10.98	11.46	279	291
BH10X304	BHM10X304SS	BHL10X304SS	11.5	11.97	292	304



**MORE SIZES AVAILABLE**  
UPON REQUEST